

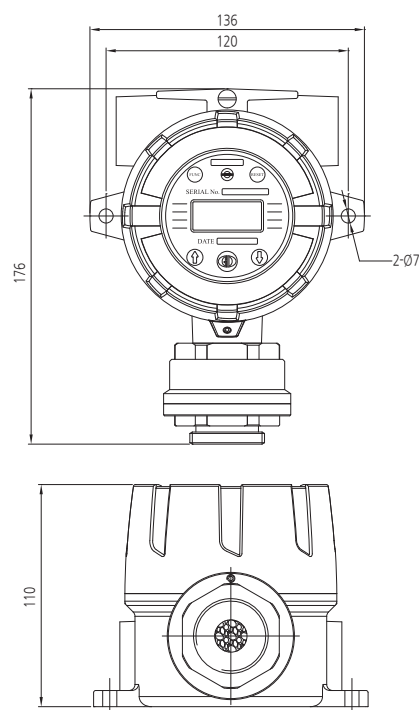
## GTD-2000Tx Smart Diffusion Oxygen & Toxic Gas Detector

| Continuous detection of toxic gases and oxygen in explosion hazardous area with flame proof structure | Self diagnosis function with built-in Microprocessor | Excellent selectivity by adapting detection principle only for toxic gases & oxygen | Superior performance for detecting toxic gases below TLV | Multi functions and high quality with low cost of ownership | Built-in back light LCD or OLED display | Easy configuration of monitoring system by HART communication | Auto calibration and program setting with a magnet bar | 4-20mA (Current source or Sink) output signal | With the alarm unit - Normal - Green LED - Alarm - Red LED, Buzzer(95 dB) - Trouble - Yellow LED - Calibration and maintenance by one-man |

### IMAGE



### DIMENSION (Unit : mm)



### ACCESSORIES



Cable Gland

GTL-100

Rain cover

Splash guard

Collecting-cone

HART Module

### SPECIFICATION

※ Specifications are subject to be changed without prior notice.

SMART & LOCAL DISPLAY TYPE OXYGEN & TOXIC GAS DETECTOR	
Model	GTD-2000Tx
Measuring gas	O <sub>2</sub> / Toxic gases (CO, CL <sub>2</sub> , NH <sub>3</sub> & etc)
Measuring type	Diffusion type
Measuring method	Electrochemical cell, Semiconductor cell
Measuring range	Refer to Toxic Gas Measuring Range
Response time	Dependent on the sensor
Accuracy	±3% / Full scale
Parameter control	Non intrusive control with a Magnet bar (calibration, maintenance)
Operation mode display	1-LED (Power)
Measuring value display	LCD display (Built in back light 2-Line, 8 characters) / OLED Type (Option)
Output signal	Analog : Measuring signal : 4-20mA DC    Maintenance signal : 4mA DC    Calibration signal : 3mA DC Fault signal : 0mA DC    Digital : 2mA (HART 7, HART Device Description Language available, Option)
Material	Housing : ALDC, SUS316(Optional) / Sensor : SUS316
Conduit connection	Standard : PF 3/4"    Option : NPT 1/2", NPT3/4", M20 x 1.5P, M25 x 1.5P
Mounting type	2" Pole mount, Wall mount, Duct mount
Operating temperature	-40°C ~ +80°C
Operating humidity	5 ~ 99%.RH (non-condensing)
Dimensions	136(W) x 176(H) x 110(D)mm
Weight	1.5kg

### CERTIFICATION

KCs	Ex tD A21 IP66 T85°C, Ex d IIC T6, T4	ATEX / IECEx	Ex db IIC Gb T6, T4
NEPSI	Ex d IIC T6 Gb	UL	Class I, Division 1, Groups A.B.C.D
KR / MED / ABS / BV / DNV / HART / SIL 2 / KC / CE / PESO / TRCU ex / CPA			Refer to website