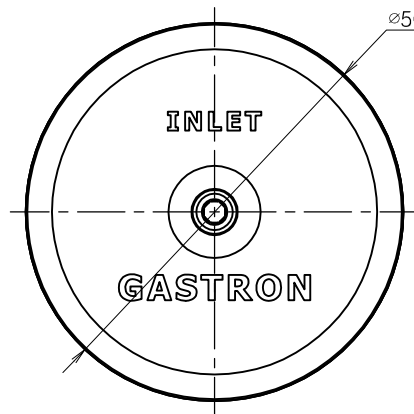
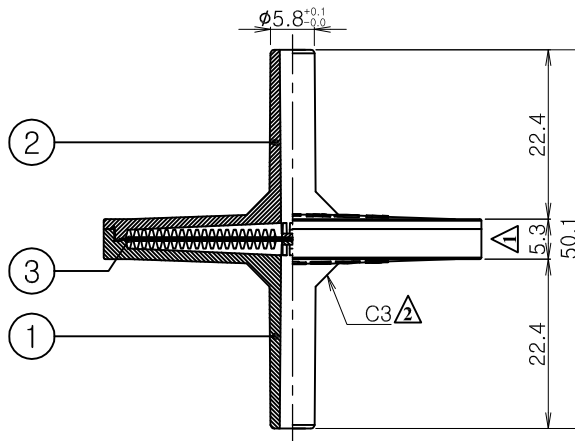
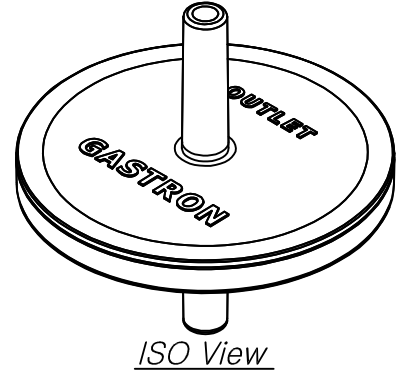
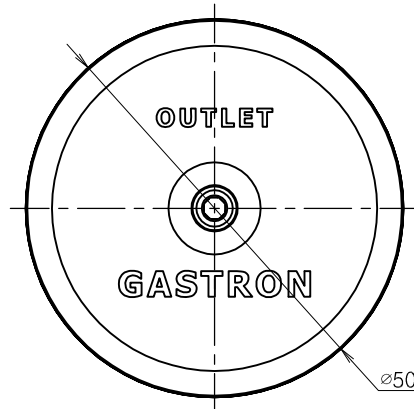


GENERAL NOTE

1. Tolerance Limits : ±0.2
2. Body에 Filter 삽입 후 Body 와 Cover 초음파용착
- 3.
- 4.

No.	Description	Material	Q'ty	Remark
1	Body	PP	1	PP(PE)
2	Cover	PP	1	PP(PE)
3	Membrain Filfer	PTFE	1	Pore size <0.2~10um>
4				



GASTRON CO., LTD.

					Title	GFT100A Micro filter		
					Subject	General Assembly		
					Part No.	9000046		
Material						Scale	1/1	
Projection						Units	mm	
Rev.	Description	Date	Drawn	Checked	Approved	DWG. No.	Sheet	1/1

③								
②	보강살 추가	2015.12.22	H.S.KIM	-	H.J.JUNG			
①	내부높이, 지름 수정	2009.01.31	S.M. SHIN	S.M. SHIN	S.K. CHO			
④	For issued	2008.11.17	S.M. SHIN	S.M. SHIN	S.K. CHO			